

TANAIR PNEUMATICS

STAINLESS STEEL 3 PIECE BALL VALVE

HOW TO ORDER

EP



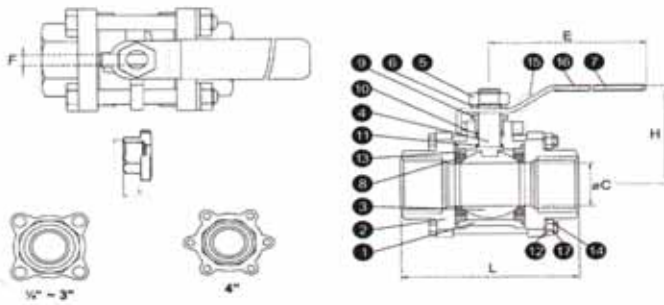
Body Size

3SMBV

3 PIECE STAINLESS STEEL
MANUAL BALL VALVE

14	1/4"	34	3/4"	200	2"	400	4"
38	3/8"	100	1"	212	2 1/2"		
12	1/2"	112	1 1/2"	300	3"		

STAINLESS STEEL 3PC BALL VALVE



SPECIFICATIONS

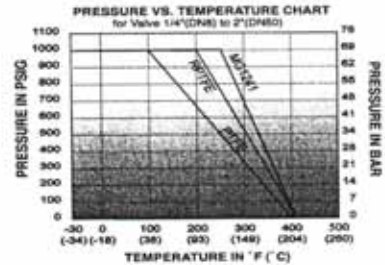
Construction: 3-piece body, Full Bore
 Size: 1/4" - 4" (8mm - 100mm)
 Ends: Threaded
 Body: CF8M
 Ball & Stem: 316 SS
 Seats: PTFE
 Rating: 1/4" - 2" 1000PSI / PN 64
 2 1/2" - 4" 800PSI / PN 50

DESIGN ADVANTAGES

- For general Industrial and Chemical applications
- 3pc swing-out design allows in-line maintenance
- Full port orifice minimizes pressure drop and prolong life.
- Blow-out proof stem
- Investment cast body construction

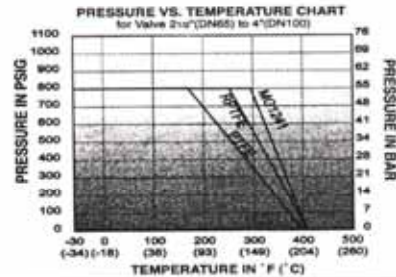
DIMENSIONS (mm)

Size	ØC	E	F	H	L	L1	W(Kg)
1/4"	11.6	100	5.0	50	56.6	56.6	.35
3/8"	12.7	100	5.0	50	56.6	56.6	.33
1/2"	15.0	130	6.5	60	65.5	65.5	.56
3/4"	20.0	130	6.5	64	76.2	76.2	.75
1"	25.0	165	8.0	71	86	76	1.035
1 1/4"	32.0	165	8.0	78	102.8	102.8	1.74
1 1/2"	38.0	190	9.7	86	119	119	2.41
2"	50.0	190	9.7	95	131.4	131.4	3.66
2 1/2"	65.0	250	12.0	130	164	164	7.1
3"	80.0	250	12.0	148	182.5	182.5	10.5
4"	100	250	15.0	185	236.2	235.6	20.76



MATERIALS LIST

NO.	PART NAME	MATERIAL	NO.	PART NAME	MATERIAL
1	Body	CF8M	10	V-Ring Packing	PTFE
2	End Cap	CF8M	11	Stem Seal	PTFE
3	Ball	SUS 316	12	Bolt Washer	SUS 304
4	Stem	SUS 316	13	Joint Gasket	PTFE
5	Stem Nut	SUS 304	14	Bolt	SUS 304
6	Stem Washer	SUS 304	15	Locking Device	SUS 304
7	Handle	SUS 304	16	Handle Sleeve	Vinyl
8	Seal	PTFE	17	Bolt Nut	SUS 304
9	Gland Nut	SUS 304			



TANAIR PNEUMATICS

ISO MOUNT STAINLESS STEEL 3 PIECE BALL VALVE

HOW TO ORDER

EP



Body Size

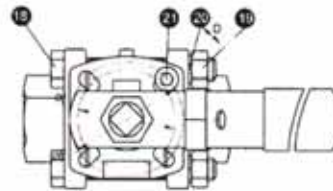
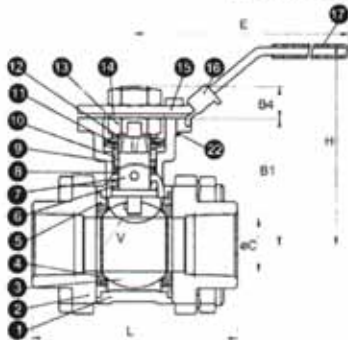
I3SMBV

(Actuator Model if required)

ISO MOUNT, 3 PIECE STAINLESS STEEL MANUAL BALL VALVE

14	1/4"	34	3/4"	200	2"	400	4"
38	3/8"	100	1"	212	2 1/2"		
12	1/2"	112	1 1/2"	300	3"		

DIRECT MOUNT S/S 3PC BALL VALVE



Pyramidal Stem & Anti-static Device

DIMENSIONS (mm)

Size	B1	B4	D	E	ØF	H	ØI	L	W(kg)	ISO5211
1/4"	42.10	8.65	9	139	42	78	36	63.5	.64	F03/F04
3/8"	42.10	8.65	9	139	42	78	36	63.5	.62	F03/F04
1/2"	42.10	8.65	9	139	42	78	36	65.5	.66	F03/F04
3/4"	48.0	8.45	9	139	42	83	36	76.2	.83	F03/F04
1"	56.6	11.4	11	165	50	96	42	86.0	1.25	F04/F05
1 1/4"	60.9	11.4	11	165	50	100	42	102.8	1.89	F04/F05
1 1/2"	77.5	13.9	14	215	70	127	50	119.0	3.17	F05/F07
2"	85.2	13.9	14	215	70	135	50	131.4	4.44	F05/F07
2 1/2"	108.7	16.8	17	262	102	167	70	164.0	8.94	F07/F10
3"	117.7	17.8	17	262	102	176	70	182.5	11.76	F07/F10
4"	132.6	16.8	17	312	102	191	70	235.6	21.50	F07/F10

SPECIFICATIONS

Construction: 3-piece body, Full Bore
 Size: 1/4" - 4" (8mm - 100mm)
 Ends: Threaded
 Body: CF8M
 Ball & Stem: 316 SS
 Seats: Reinforced Teflon
 Rating: 1/4" - 2" 1000PSI / PN 64
 2 1/2" - 4" 800PSI / PN 50
 Temperature: -60° F to 420° F

DESIGN ADVANTAGES

- PATENTED ISO5211 DIRECT MOUNT PAD
Allows direct mounting of actuators, no Brackets and couplings needed, easy and low cost for automated service.
- EXTRA HIGH CYCLE LIFE
Maintenance free live loaded double sealing high cycle stem packing system provides longer service life.
- BLOW OUT PROOF STEM
- 3-PIECE SWING OUT DESIGN
- ANTI-STATIC DEVICE
Standard applied between stem and body, Stem & Ball

MATERIALS LIST

NO.	PART NAME	MATERIAL	NO.	PART NAME	MATERIAL
1	Body	CF8M	12	Stop Washer	SUS 304
2	End Cap	CF8M	13	Stem Nut	SUS 304
3	Ball	SUS 316	14	Stem Washer	SUS 304
4	Seat	RPTFE	15	Handle	SUS 304
5	Joint Gasket	PTFE	16	Locking Device	SUS 304
6	Stem Seal	RPTFE	17	Handle Sleeve	Vinyl
7	Stem	SUS 316	18	Bolt	SUS 304
8	Gland Packing	MG1241	19	Bolt Nut	SUS 304
9	Bushing	#	20	Bolt Washer	SUS 304
10	Gland Bush	SUS 304	21	Stop Pin	SUS 304
11	Belleville Washer	SUS 301	22	Pin Nut	SUS 304

25% glass Fiber Filled • PTFE

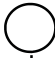
BREAK AWAY TORQUES

SIZE	Nm	In / lbs.	Cv U.S.GPM
1/4"	3	27	8
3/8"	3	27	10
1/2"	3	27	12
3/4"	7	62	32
1"	12	106	56
1 1/4"	15	133	82
1 1/2"	20	177	120
2"	23	204	240
2 1/2"	35	310	320
3"	55	487	580
4"	85	753	1020

TANAIR PNEUMATICS

STAINLESS STEEL 1 PIECE BALL VALVE

HOW TO ORDER

EP  **1SMBV**
 Body Size

14	1/4"	34	3/4"	200	2"	400	4"
38	3/8"	100	1"	212	2 1/2"		
12	1/2"	112	1 1/2"	300	3"		

1 PIECE STAINLESS STEEL
MANUAL BALL VALVE

STAINLESS STEEL 1PC BALL VALVE



SPECIFICATIONS

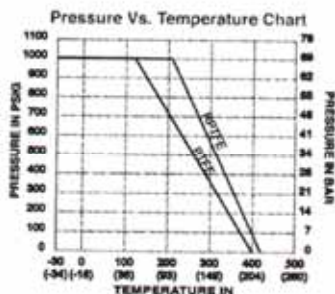
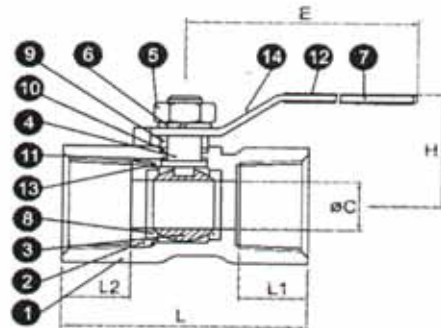
Construction: 1-piece body, Reduced Bore
 Size: 1/4" – 2" (8mm – 50mm)
 Ends: Threaded
 Body: CF8M
 Ball & Stem: 316 SS
 Seats: PTFE
 Rating: 1/4" – 2" 1000PSI / PN 64

FEATURES

- For general Industrial and Chemical applications
- Economical Compact Design
- Low Operation Torque
- Blow-out proof stem
- Investment cast body construction

DIMENSIONS (mm)

Size	ØC	E	H	L	L1	L2	W(Kg)
1/4"	5.0	64	35	39	11.0	7.0	.07
3/8"	7.0	70	37	44	11.0	8.0	.10
1/2"	9.2	90	44	57	16.0	14.0	.16
3/4"	12.5	90	47	58	15.0	10.7	.25
1"	15.0	103	50	71	17.4	17.0	.43
1 1/4"	20.0	103	57	78	19.0	16.7	.70
1 1/2"	25.0	127	69	83	19.1	16.6	.83
2"	32.0	127	75	100	22.5	19.7	1.50



MATERIALS LIST

NO.	PART NAME	MATERIAL	NO.	PART NAME	MATERIAL
1	Body	CF8M	8	Seat	PTFE
2	Cap	CF8M	9	Gland	SUS 304
3	Ball	SUS 316	10	Stem Packing	PTFE
4	Stem	SUS 316	11	Thrust Washer	PTFE
5	Stem Nut	SUS 304	12	Handle Sleeve	Vinyl
6	Stem Washer	SUS 304	13	Joint Gasket	PTFE
7	Handle	SUS 304	14	Locking Device	SUS 304