

# TANAIR PNEUMATICS

## REEDSWITCH D-A54KL TO SUIT TPCA2, TPCS1 & EPC05

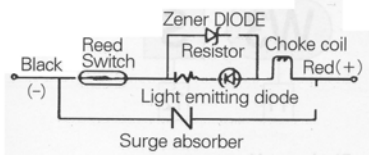
### AUTO SWITCH SPECIFICATIONS



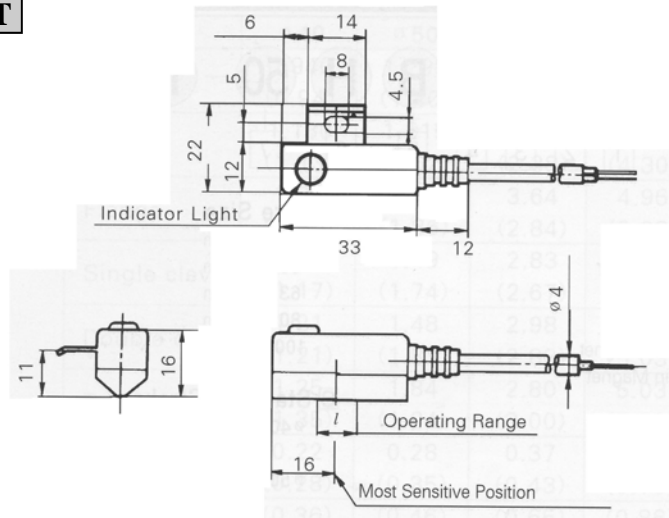
Auto Switch Model	W3		
Application	Relay, Sequence Control		
Load Voltage	DC24V	AC100V	AC200V
Max. Load Current / Range of Load Current	5~50mA	5~25mA	5~12.5mA
Protection Circuit Contact Breaker Point	Built-in		
Internal Voltage Drop	2.4V		
Indicator Light	ON:Red Light Emitting Diode		

- Leakage current - None
  - Response time - 1.2ms
  - Lead Wire - Oil proof vinyl.  $\phi 4$ , (0.3)mm<sup>2</sup>, 2 wire(red, black), 0.5m
  - Impact Resistance - 30G
  - Insulation Resistance - 50M $\Omega$  or more under the test voltage 500VDC (Between case and cable)
  - Withstand Voltage - 1500VAC 1min(between case and cable)
  - Ambient Temperature - -10~60 $^{\circ}$ C
  - Protection Structure - IEC spec IP67, Water-proof(JISCO920), oil-proof.
- ※ If 3m lead wire is required, L is put at end of model numbers.  
(Example) W3L

### AUTO SWITCH / INTERNAL CIRCUIT



### AUTO SWITCH DIMENSIONS



### OPERATING RANGE ( / DIMENSIONS )

Series	Bore Size(mm)				
	$\phi 40$	$\phi 50$	$\phi 63$	$\phi 80$	$\phi 100$
D-A54KL	9	10	11	11	11